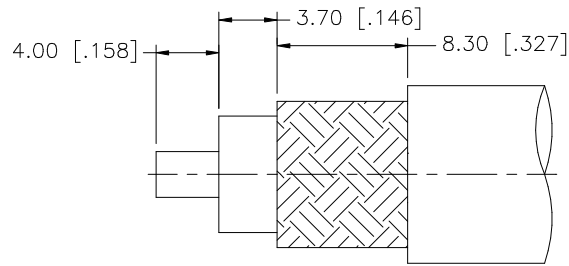
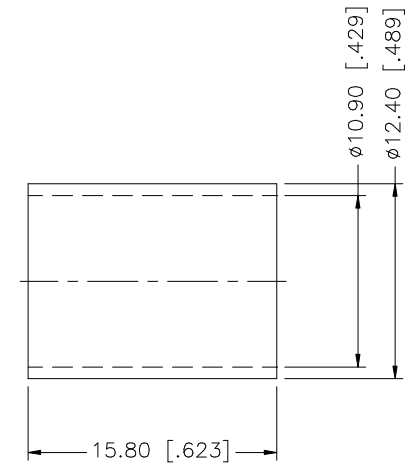
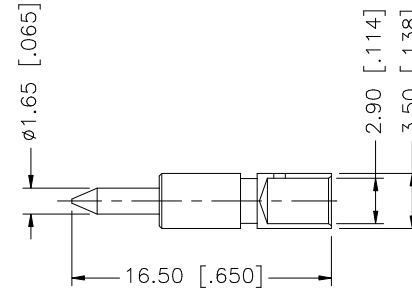
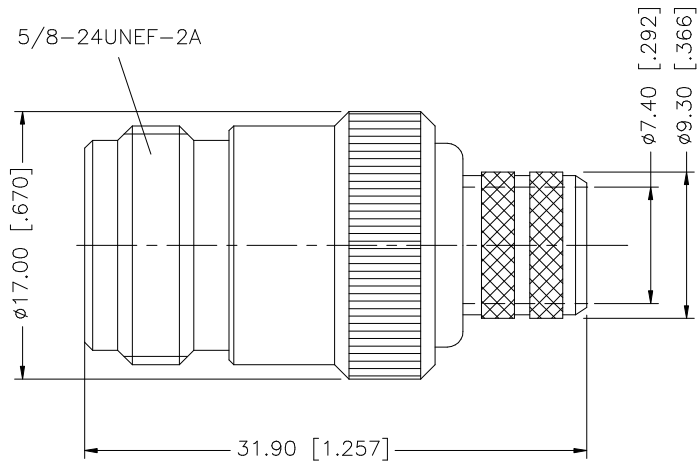


REV.	DATE	DESCRIPTION
NC	06/08/98	INITIAL RELEASE
A	01/11/07	UPDATE DRAWING FORMAT



RECOMMENDED
CABLE STRIPPING DIM'S



NOTE:

1. CRIMPED FERRULE HEX. CRIMP SIZE .429"
2. CRIMPED CONTACT PIN HEX. CRIMP SIZE .118"

DESCRIPTION	MATERIAL	FINISH	QTY	DO NOT SCALE DRAWING	APPROVALS	DATE	<h1 style="color: blue; text-align: center;">Amphenol Connex</h1> <p style="text-align: center;">PART DESCRIPTION</p> <p style="text-align: center;">N REVERSE POLARITY CRIMP JACK (BELDEN 9913, LMR400)</p> <p style="text-align: center;">PART NO.</p> <p style="text-align: center;">172203RP</p>	DWG. NO.	REV.	SIZE	SCALE		
8				<small>UNLESS OTHERWISE SPECIFIED DIMENSIONS ARE IN MILLIMETERS. DIMENSIONS IN [] ARE IN INCHES AND FOR CUSTOMER REFERENCE ONLY.</small> <small>UNLESS OTHERWISE SPECIFIED TOLERANCES FOR MILLIMETERS ARE:</small> 0.5 - 8mm ± 0.20mm 8 - 30mm ± 0.40mm 30 - 120mm ± 0.50mm <small>UNLESS OTHERWISE SPECIFIED TOLERANCES FOR INCHES ARE:</small> .020 - .315 = ± 0.007" .315 - 1.180 = ± 0.015" 1.180 - 4.724 = ± 0.020"									
7					DRAWN	G.R.S.		01/11/07					
6					CHECKED								
5					ISSUED								
4	FERRULE	COPPER	NEXCOTE		1	SHEET	1 OF 1						
3	CONTACT PIN	BRASS	GOLD	1									
2	INSULATOR	TEFLON	NATURAL	1									
1	BODY	BRASS	NEXCOTE	1									
					CAD FILE	C:/172/172203RP.DWG		172203RP.DWG	A	A	NA		